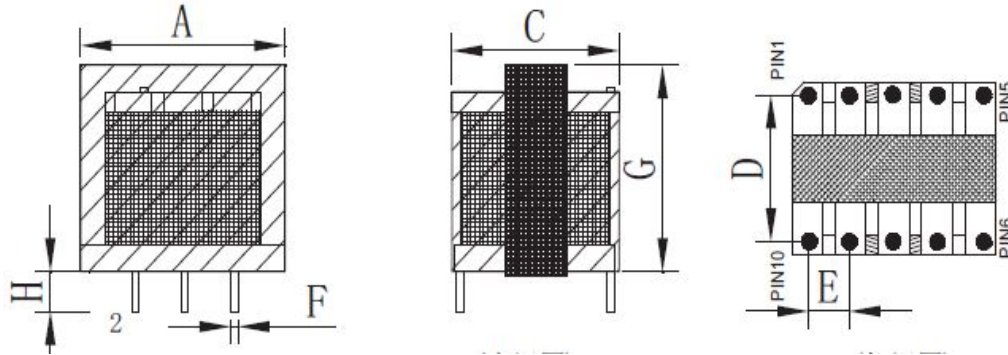


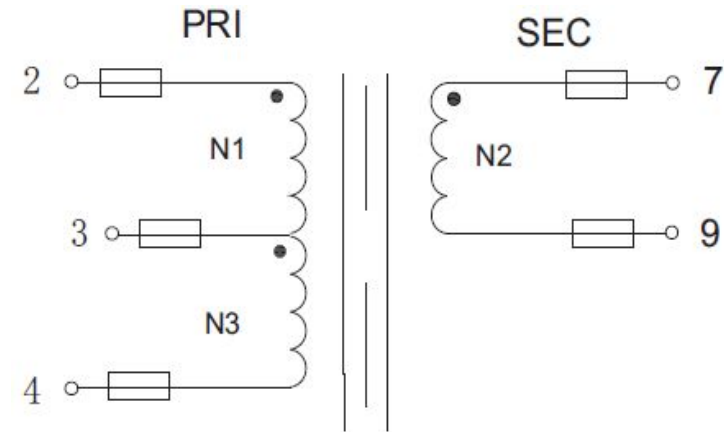
CUSTOMER TERMINAL	ROHS	Lead(Pb)-free
	YES	YES

1.Mechanical Dimensions



A	17.3	MAX
C	13.7	MAX
G	16.2	MAX
D	10.5	±0.3
E	3.25	±0.2
F	0.6	±0.1
H	3.5	±0.5

2.Schematic Diagram



3.Material List

Core:FW44 EE16/15/5
 Bobbin:FWB1601(5+5PIN)
 Wire:2UEW
 Operating Temperature: -30 to115 °C

4.Electrical Specification

Inductance : $L(2-4):1.3mH \pm 5\%$ 100KHZ , 1.0V
 Leakage Inductance : 44uH MAX 100KHZ , 1.0V
 DCR : (2-4)=2.88Ω MAX (7-9)=0.192Ω MAX
 Hi-Pot:P-S: AC 60Hz 1200V 2mA 3S
 P-CORE:AC 60Hz 500V 2mA 3S

REV.	DATE	 Convention Placement	DRW.		Drawing Title:	Part No:
0	00/00		CHK.			
			www.ferriwo.com	APP.		Customer P/N